

SPRINT™ HOLDFAST

ELECTRIC STRIKES SI-245F

SPECIFICATIONS AND TECHNICAL DETAILS

Dimensions: 245mmLx25mmWx41mmD

Voltage: 12v DC

Current: 300mA/ 12v DC

Modes: Fail secure/ Fail safe field reversible

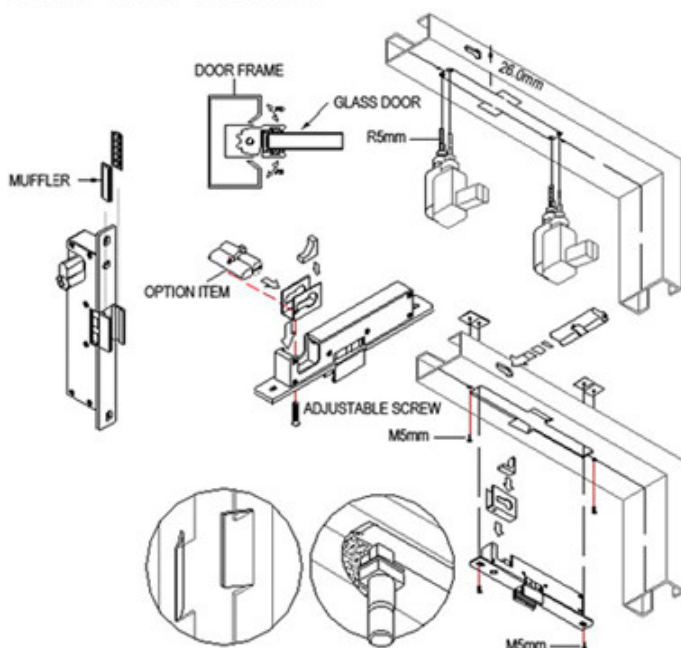
Options: Lock status sensor

Glass thickness: 8-12mm



■ INSTALLATION

FOR 180°- SWING GLASS DOOR



SPRINT RESERVES THE RIGHT TO CHANGE SPECIFICATIONS WITHOUT NOTICE.

