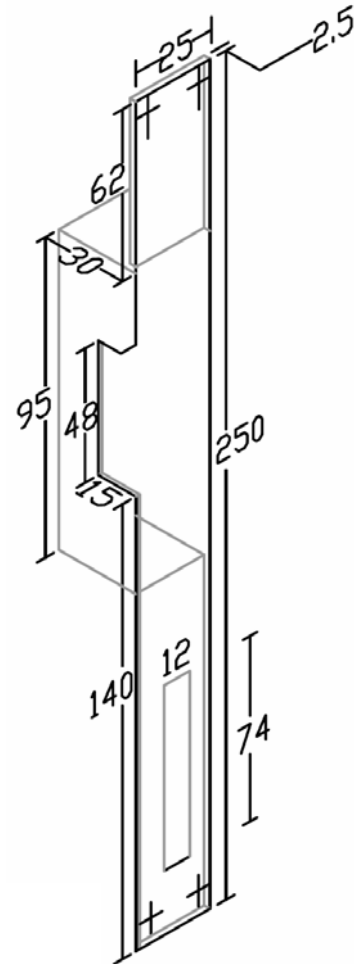
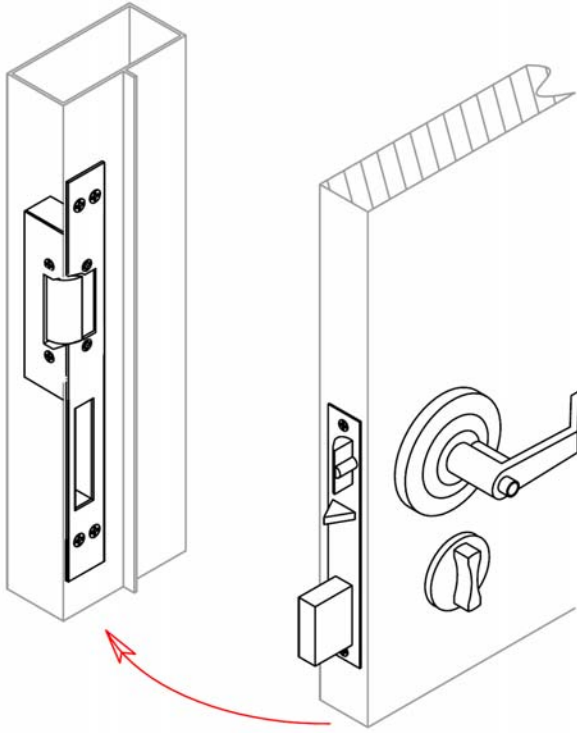


SPRINT™ HOLDFAST

ELECTRIC STRIKES SI 250(F) INSTALLATION

Dimensions of Installation



Stainless Steel/ Aluminum Door Frame

Wooden Door Frame

