

# MAGNETIC LOCKS

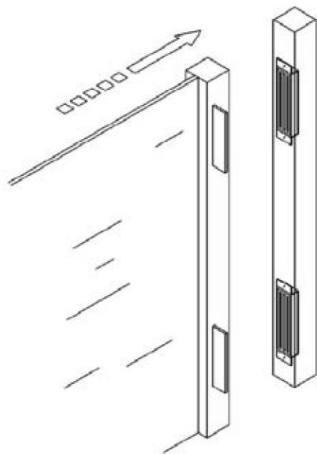
## S01T SLIDING LOCK

### SPECIFICATIONS AND TECHNICAL DETAILS

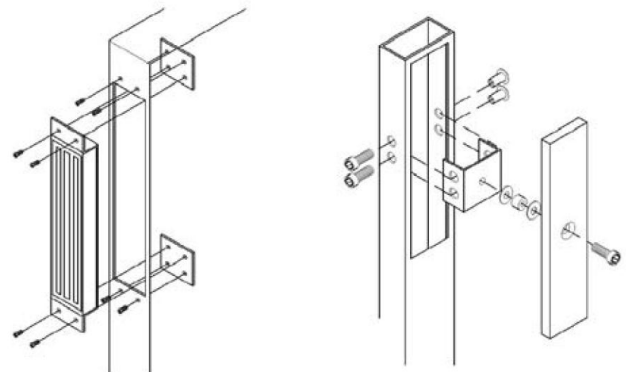
Dimensions: 228mmLx38mmHx27mmD  
 Armature plate - 185mmLx38mmWx12.5mmT  
 Mortise mounted  
 Current draw: 500mA/12v , 250mA/24v  
 Dual voltage: 12v/24v DC  
 Holding force: About 600lbs (280kg)  
 Options: Timer, LED, Lock status sensor  
 Built-in voltage spike suppressor



#### ■ SUGGESTED INSTALLATION POSITIONS



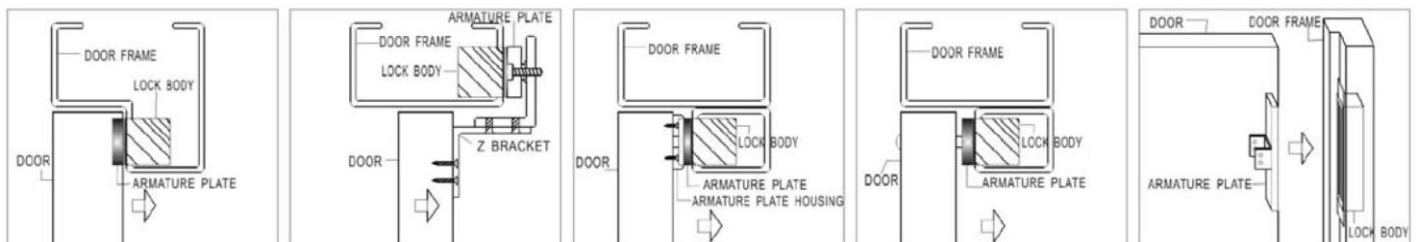
#### ■ TYPICAL INSTALLATION



INSTALLATION OF MORTISE MAGLOCK BODY ON STEEL/ALUMINUM FRAME

INSTALLATION OF MORTISE BRACKET

#### ■ APPLICATIONS



SPRINT RESERVES THE RIGHT TO CHANGE SPECIFICATIONS WITHOUT NOTICE.