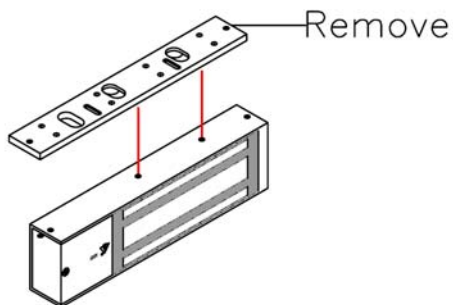


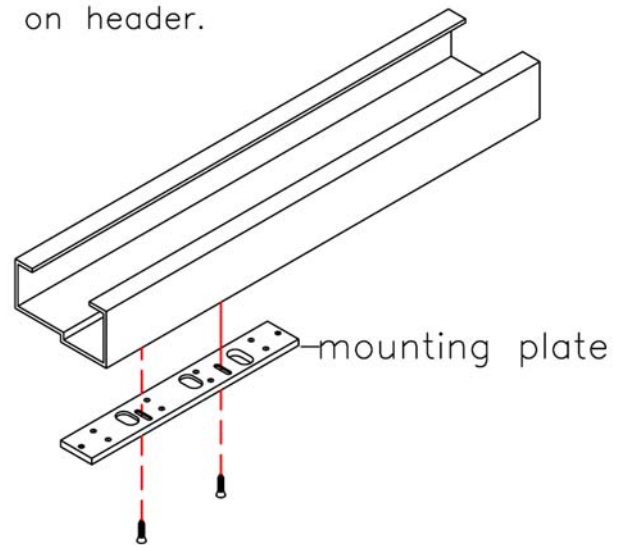
INSTALLATION ON A "PUSH" DOOR.

Remove mounting plate from maglock.



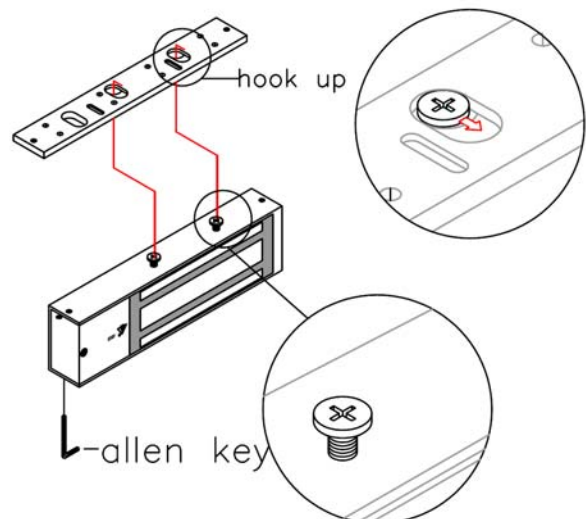
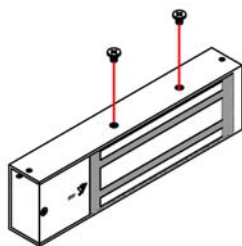
Step 1.

Fix mounting plate on header.



Step 2.

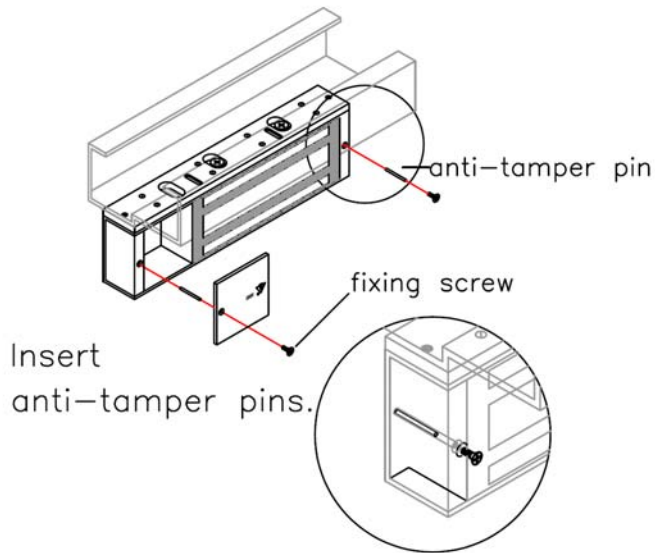
Put back the holding screws.



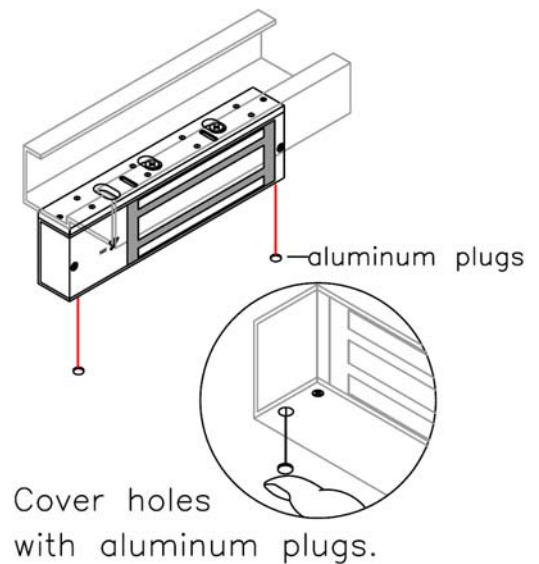
Hook into slots and secure with mounting screws.

Step 3.

SPRINT™ HOLDFAST

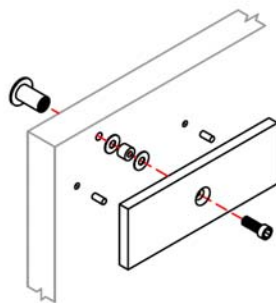


Step 4.

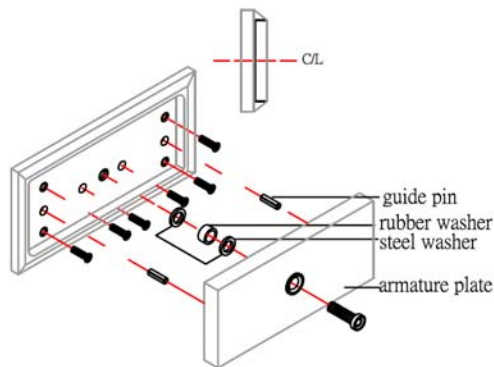


Step 5.

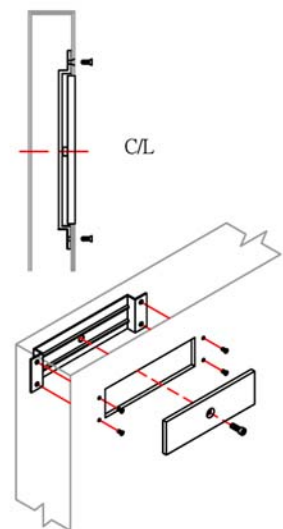
INSTALLATION OF ARMATURE PLATE.



Typical installation of armature plate.



Installation of armature plate on rim housing.



Installation of armature plate with mortise bracket.