

## ACCESSORIES

### ARMATURE PLATE HOUSING

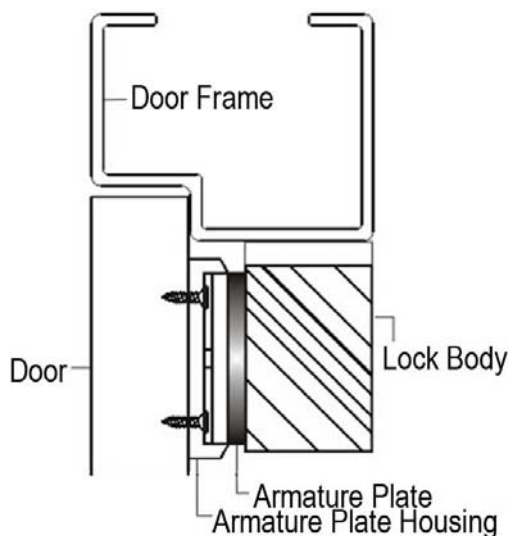
#### SPECIFICATIONS AND TECHNICAL DETAILS



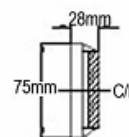
Dimensions: S0 145mmLx50mmWx15mmD  
 S01 200mmLx55mmWx15mmD  
 S02 200mmLx76mmWx15mmD

Aluminum finish

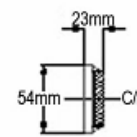
#### ■ INSTALLATION OF ACCESSORIES



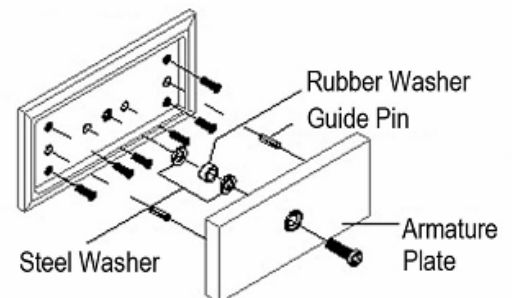
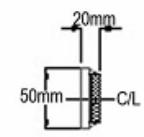
1200LBS Series



600LBS Series



300LBS Series



Installation of Armature plate  
 on housing  
 (Options for 1200&600&300LBS)